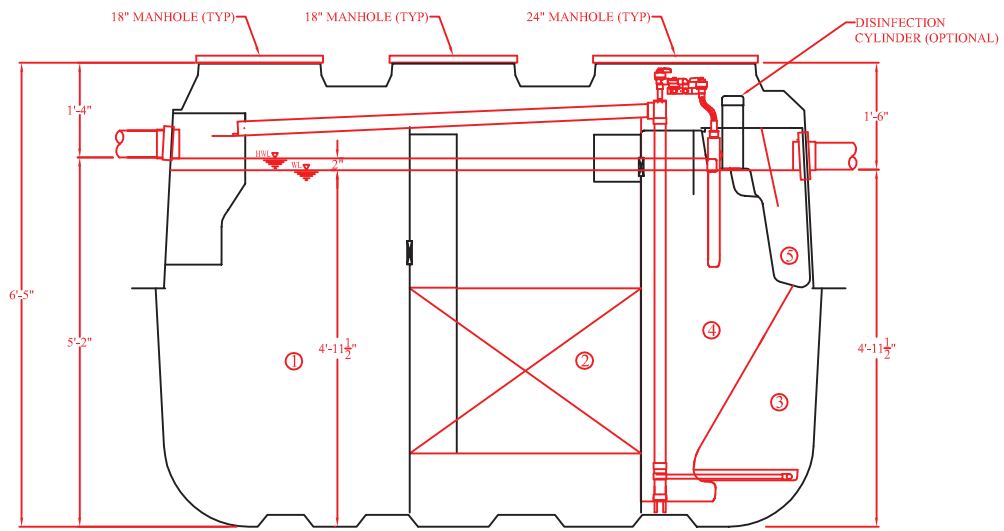
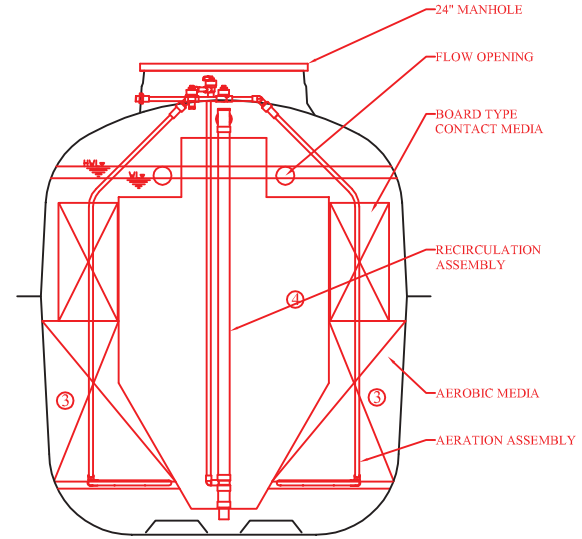


	CHAMBER	Volume (gal)
①	Sedimentation Chamber	558
②	Anaerobic Filtration Chamber	556
③	Aerobic Contact Filtration Chamber	248
④	Storage Chamber	125
⑤	Disinfection Chamber	11
Total Volume		1,498

SPECIFICATIONS			
Anaerobic Media	PP / PE	Filling Rate	46%
Board Type Aerobic Media	PVC / PP / PE	Filling Rate	17%
Aerobic Media	PP / PE	Filling Rate	54%
Blower	3.0 cfm		
Tank	FRP		
Piping	PVC / PP / PE		
Access Covers	Plastic / Cast Iron		
Disinfectant (Optional)	Chlorine Tablets		



SECTION A-A VIEW



SECTION B-B VIEW



CEN-10
Structural Drawing

DATE:	11/2014	SCALE:	3/8" = 1'
-------	---------	--------	-----------