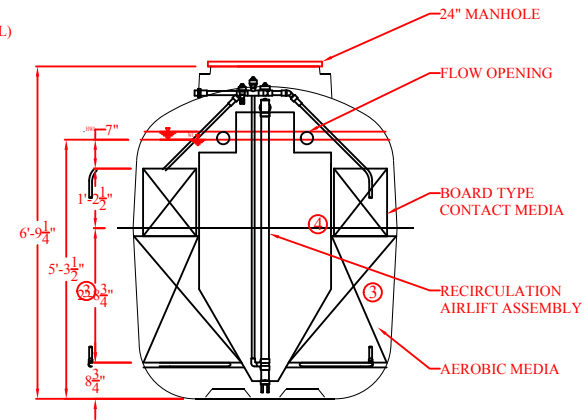
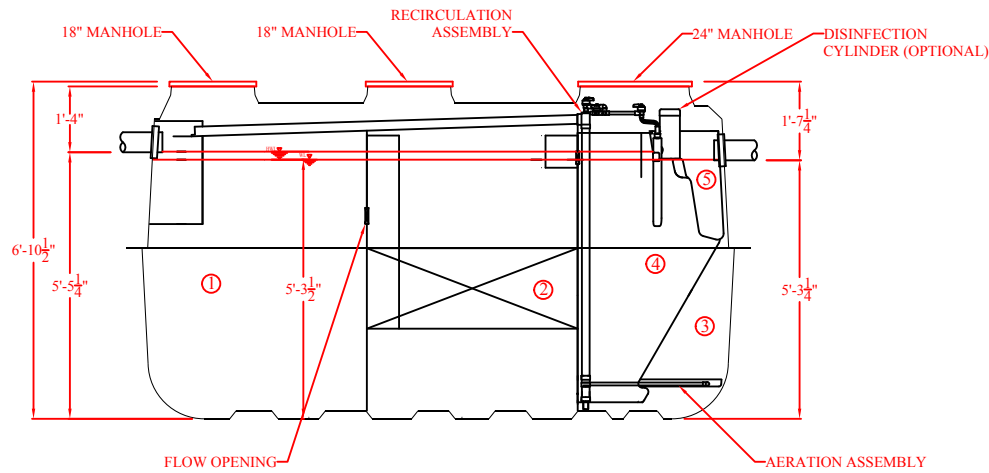


CHAMBER		Volume (gal)
①	Sedimentation Chamber	837
②	Anaerobic Filtration Chamber	839
③	Aerobic Contact Filtration Chamber	378
④	Storage Chamber	186
⑤	Disinfection Chamber	12
Total Volume		2,252

SPECIFICATIONS			
Anaerobic Media	PP / PE	Filling Rate	31%
Board Type Aerobic Media	PVC / PP / PE	Filling Rate	17%
Aerobic Media	PP / PE	Filling Rate	55%
Blower	5 cfm		
Tank	FRP		
Piping	PVC / PP / PE		
Access Covers	Plastic / Cast Iron		
Disinfectant (Optional)	Chlorine Tablets		

CE21	
Standard Hydraulic Load	1900 GPD



CE21 Structural Drawing

DATE: 03/15/2015 | SCALE: 1/4" = 1"